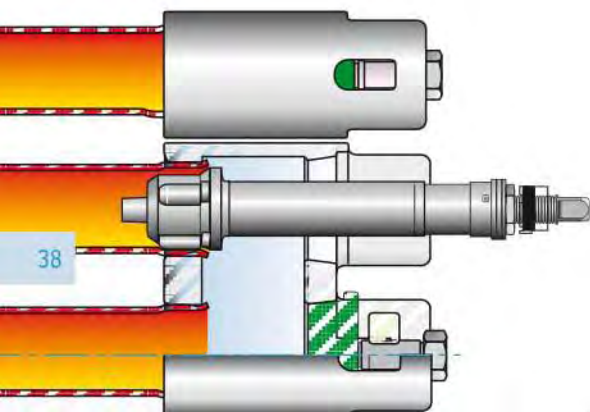


F/500

Complete line of **F/500-series** tube expanders with adjustable torque clutch, for rolling and flaring thick walled tubes in **cracking furnaces** tube seats

Tube expanders model F/500 with adjustable torque clutch, torque control and mandrel feeding device for tubes up to ASA 8" Sch. 40 (219,1 x 8,18 mm).



F/500

O.D. tubes
ASA from 3" to 8"
(from 88,9 to 219,1 mm)

